

DATA SHEET

O 5.16

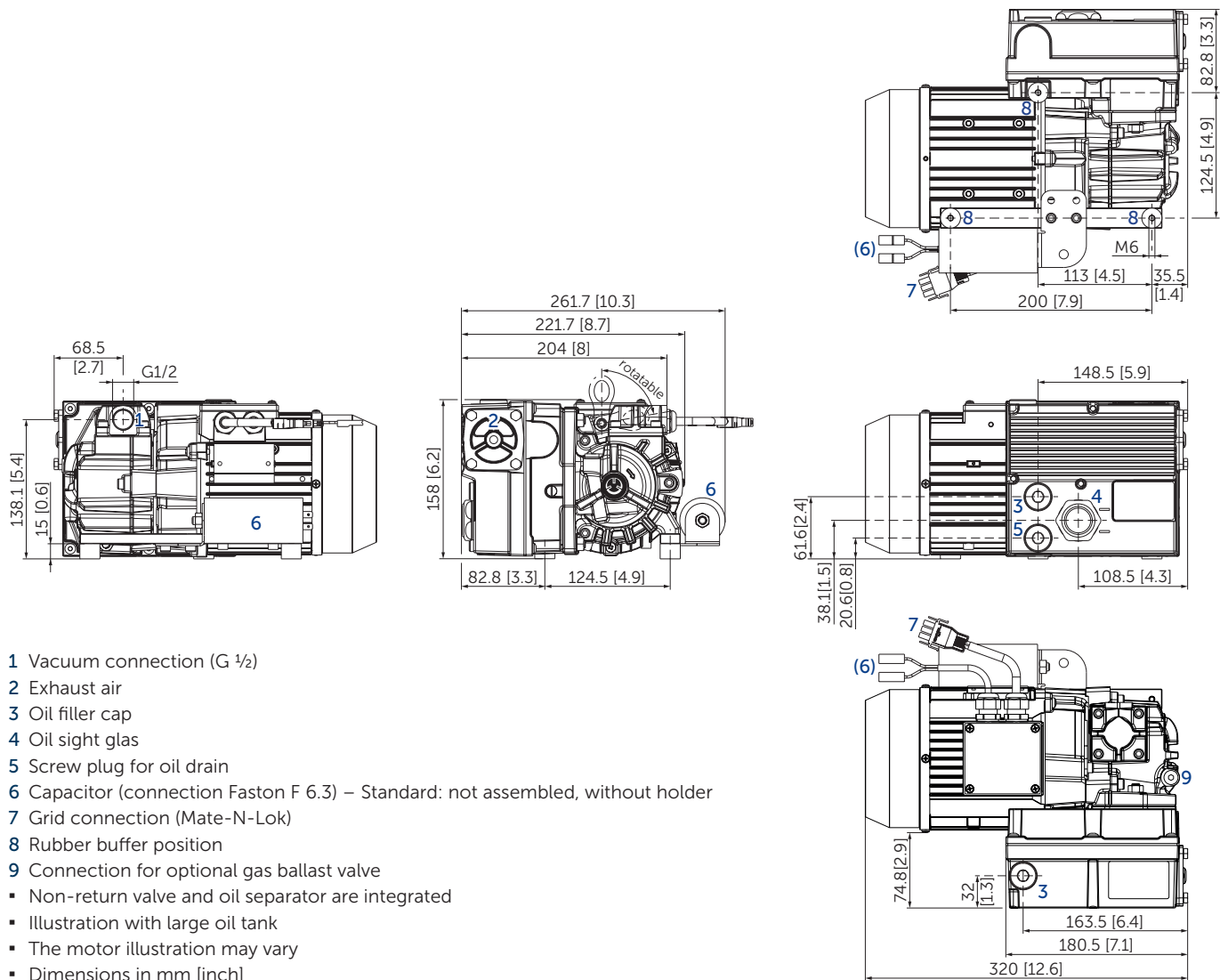
ROTARY VANE VACUUM PUMPS

oil-lubricated

air-cooled

MAKE IT BECKER.





Nominal capacity		Vacuum absolute		Emission sound pressure level ¹⁾		Weight incl. motor	Oil	
m ³ /h		mbar	kPa	dB(A)		kg	l	Becker Lube ²⁾
50 Hz	60 Hz	50 & 60 Hz	50 & 60 Hz	50 Hz	60 Hz			
16	19	2	0.2	60.5	67	≈18.0/19.5 ³⁾	0.3/0.5 ³⁾	M 68 / M 32 (mineral) S 68 / S 32 (synthetic) SL 68 / SL 32 (food)

¹⁾ According to DIN EN ISO 11203, accuracy class of measurement: class 2, extended measurement uncertainty: 3 dB
 1 m [39.4 inch] distance, at medium load, vacuum connection piped, exhaust side open

²⁾ See operating instructions

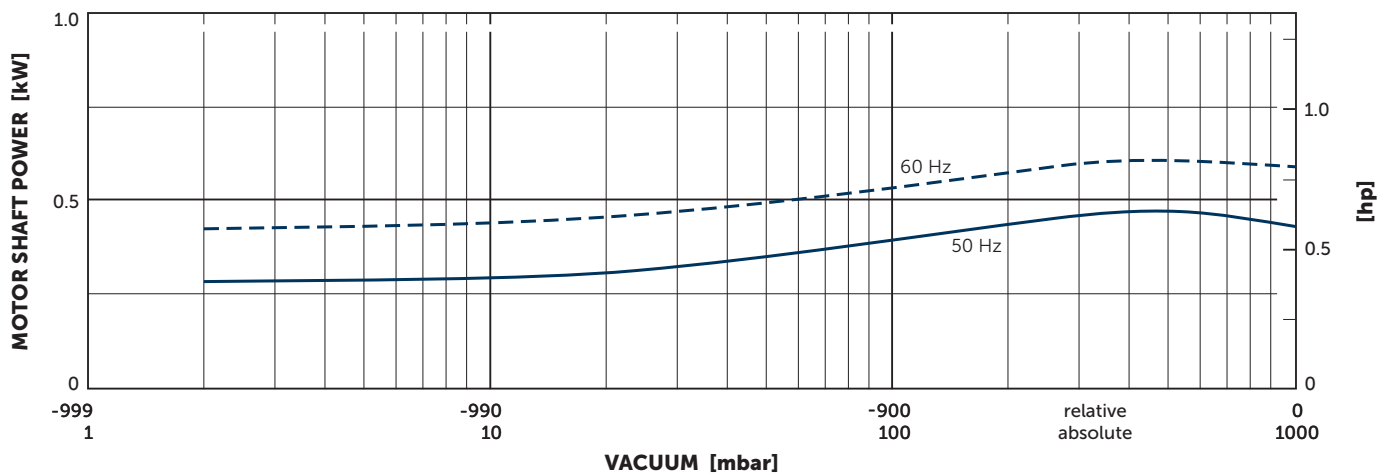
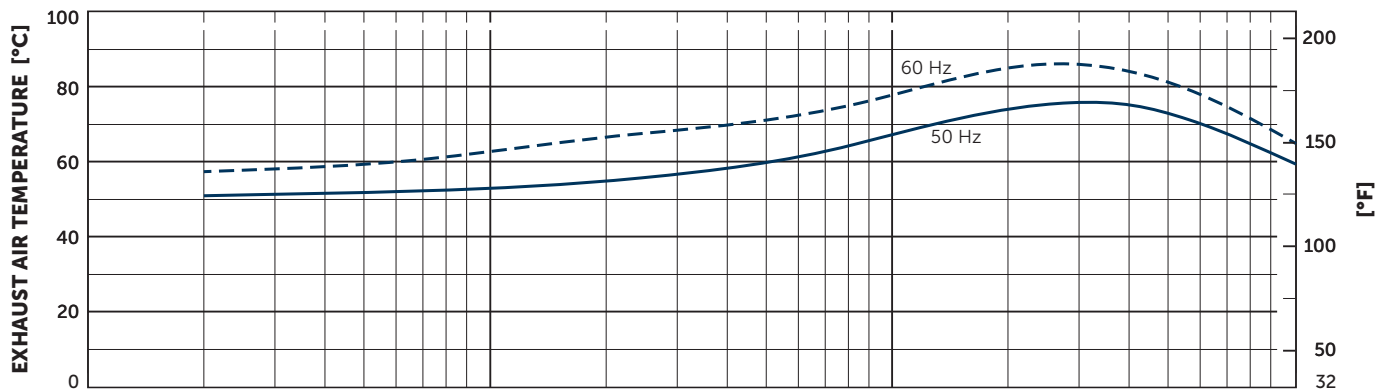
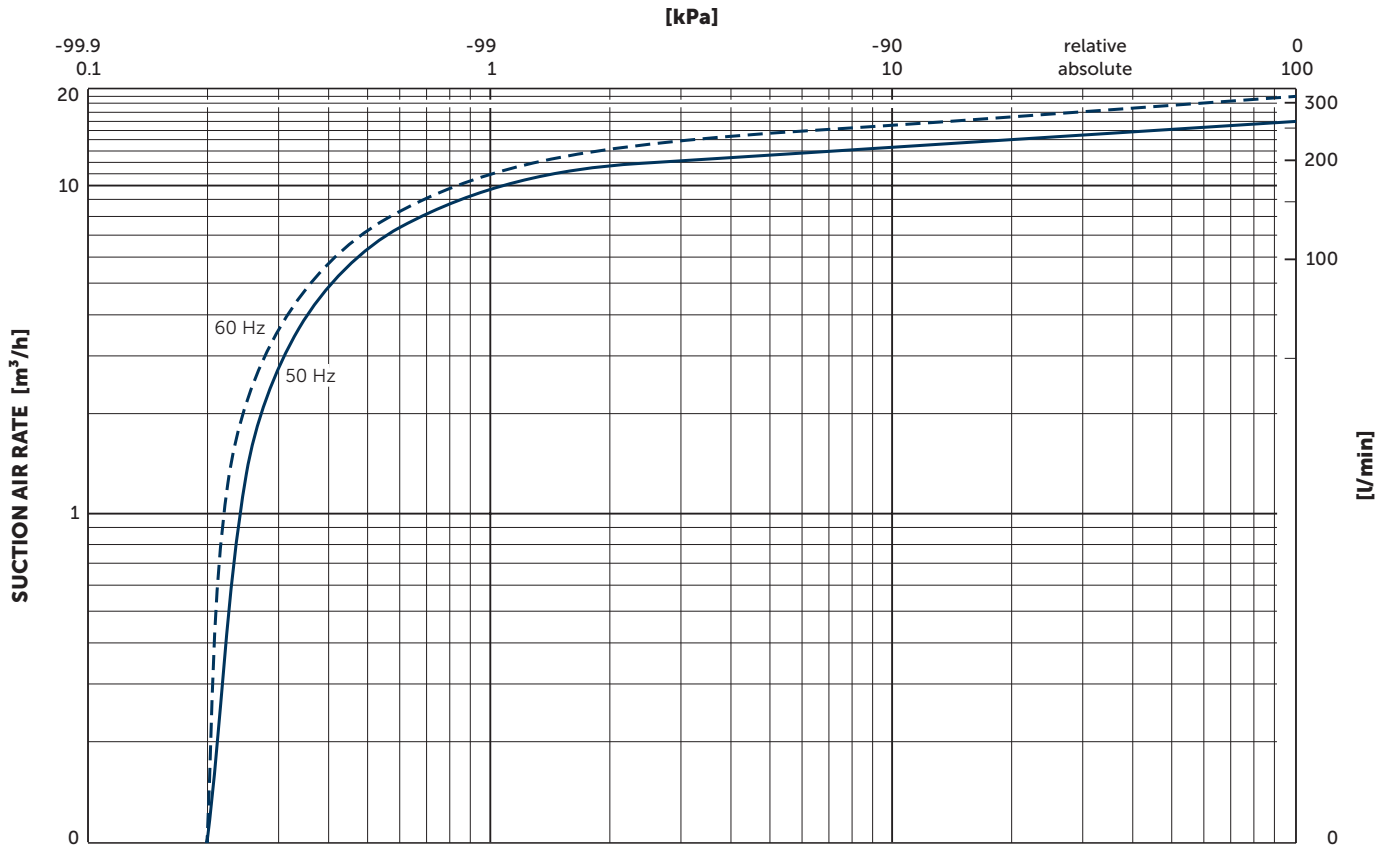
³⁾ Small/large oil tank

1~ Motors										
#	50 Hz				60 Hz				Weight kg	Version
	kW	V	min ⁻¹	A	kW	V	min ⁻¹	A		
01	0.55	220–240	2745–2790	3.9–3.9			–		10.1	IP 55, ISO F, bimetal capacitor 30 µF (450V)
02	0.55	220–240	2790	3.7	0.66	220–240	3270	4.7	10.0	IP 55, ISO F, bimetal capacitor 30 µF (450V)
03	0.55	100–110	2770–2810	9.0–8.9	0.66	100–120	3240–3370	10.4–9.3	10.8	IP 55, ISO F, bimetal capacitor 100 µF (330V)

3~ Motors										
#	50 Hz				60 Hz				Weight kg	Version
	kW	V	min ⁻¹	A	kW	V	min ⁻¹	A		

on request

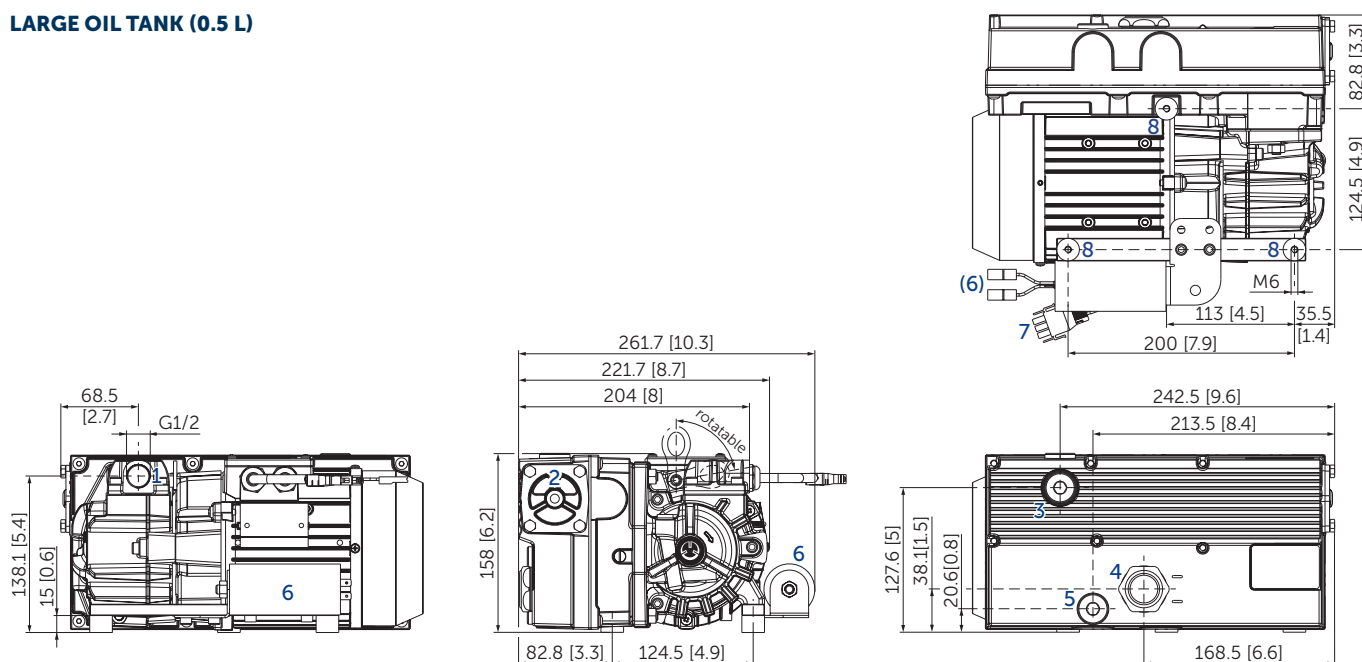
- Current consumption and rotation speed may vary. Tolerance in each case -1.5/+2%



Suction air rate refers to the intake pressure
 Reference data (atmosphere): 1000 mbar (100 kPa), 20°C (68°F)
 Tolerance: ±10%

+ VARIANTS AND ACCESSORIES

LARGE OIL TANK (0.5 L)



- 1 Vacuum connection (G 1/2)
- 2 Exhaust air
- 3 Oil filler cap
- 4 Oil sight glass
- 5 Screw plug for oil drain
- 6 Capacitor (connection Faston F 6.3) – Standard: not assembled, without holder
- 7 Grid connection (Mate-N-Lok)
- 8 Rubber buffer position
- 9 Connection for optional gas ballast valve
 - Non-return valve and oil separator are integrated
 - The motor illustration may vary
 - Dimensions in mm [inch]

GAS BALLAST VALVE

- Version for small amounts of moisture, vacuum <3 mbar
- Version for higher amounts of moisture, vacuum <20 mbar

CAPACITOR HOLDER

- See drawings

BECKER LUBE

M 68 mineral	1.00 l	Nº 96002300300	5.00 l	Nº 96002300400
S 68 synthetic	1.00 l	Nº 96002300500	5.00 l	Nº 96002300600
SL 68 food	1.00 l	Nº 96002300700	5.00 l	Nº 96002300800
M 32 mineral	0.25 l	Nº 96001700025		
S 32 synthetic	0.25 l	Nº 96000320025	0.50 l	Nº 96000320050
SL 32 food	0.25 l	Nº 96001800025		

- See operating instructions